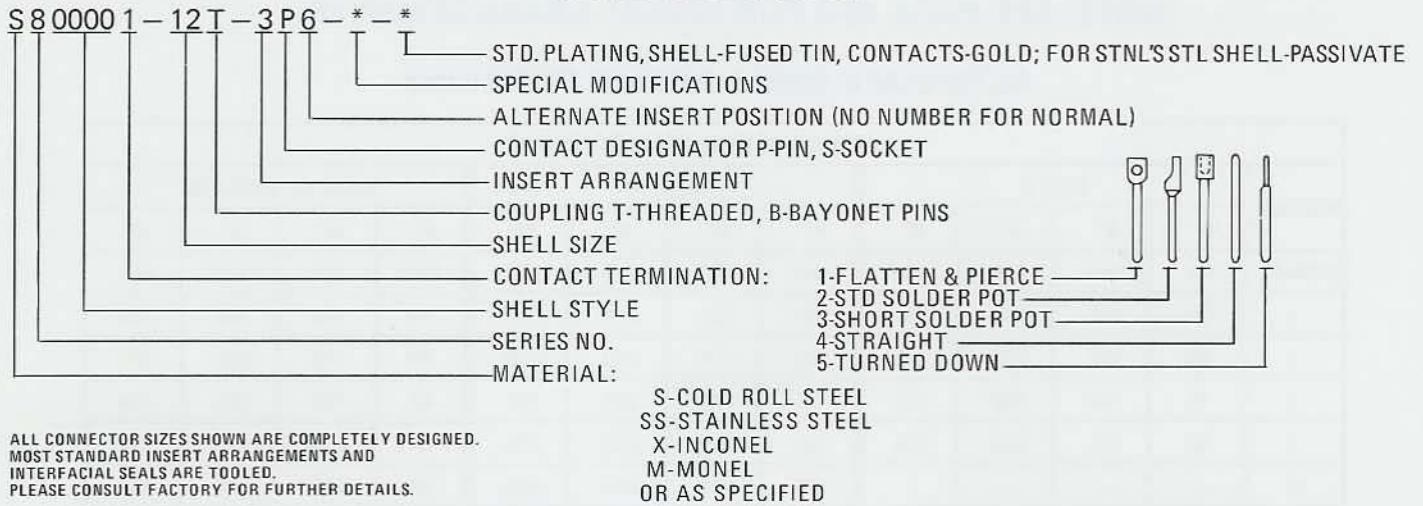


NUMBERING SYSTEM



ALL CONNECTOR SIZES SHOWN ARE COMPLETELY DESIGNED. MOST STANDARD INSERT ARRANGEMENTS AND INTERFACIAL SEALS ARE TOOLED. PLEASE CONSULT FACTORY FOR FURTHER DETAILS.

Hermetic Seal Corporation SERIES 800000 Hermetically sealed Miniature Circular Connectors are manufactured and tested to the requirements of Mil-C-26500.



These connectors are supplied in both threaded and bayonet type coupling. There are three standard types of mounting flanges, weld or solder, square flange and jam nut. Special types of flanges and several types of materials are also available.

This connector series is used for electrical control and power circuits and is designed to meet the special environmental requirements needed for advanced aircraft, rockets, missiles and space vehicles.

GENERAL SPECIFICATIONS

INSERT RETENTION
INSERT WILL WITHSTAND 5,000 P.S.I. WITHOUT DAMAGE.

AIR LEAKAGE (HERMETICITY)
LEAKAGE RATE LESS THAN .01 MICRON PER CUBIC FOOT PER HOUR (1×10^{-7} cc/sec) AT 15 P.S.I.

TEMPERATURE LIFE
CONNECTOR WILL PERFORM SATISFACTORILY AFTER EXPOSURE TO 200°C (392°F) FOR 1,000 HRS.

INSULATION RESISTANCE
GREATER THAN 5,000 MEGOHMS/500VDC, 25°C PER MIL-STD-202, METHOD 302.

DIELECTRIC WITHSTANDING VOLTAGE
CONNECTORS SHOW NO EVIDENCE OF BREAKDOWN OR FLASHOVER WHEN TESTED AT VOLTAGES SHOWN IN ACCORDANCE WITH MIL-STD-202, METHOD 301.

Altitude Feet	UNMATED		MATED
	Style S	Style P	
Sea Level	1500	1500	1500
10,000	1250	1250	1250
30,000	750	700	1000
50,000	500	450	1000
70,000	350	275	1000
90,000	250	200	1000
110,000	250	200	1000

MOISTURE RESISTANCE
MAINTAINS INSULATION RESISTANCE OF 1,000 MEGOHMS OR GREATER AT 100VDC.

THERMAL SHOCK
NO EVIDENCE OF DAMAGE DETRIMENTAL TO OPERATION OF CONNECTOR AFTER TESTING AT -65°C (-85°F) TO +260°C (+500°F).

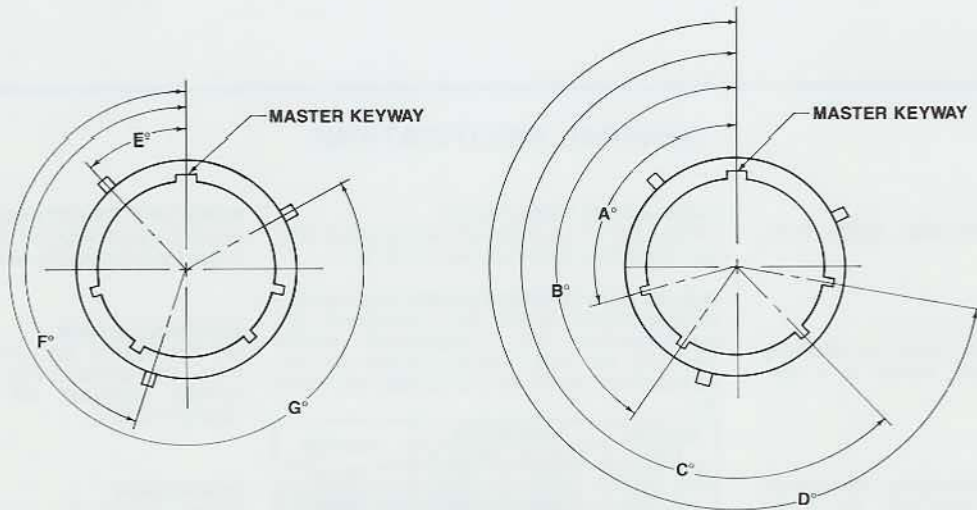
CORROSION
CONNECTORS WILL MEET SALT SPRAY TEST PER MIL-STD-202, METHOD 101.

NOTE: SEE PAGE 80-2 FOR INSERT ARRANGEMENTS

ALTERNATE SHELL KEYING POSITIONS

ALTERNATE KEYWAY POSITIONS												
POSITION	SIZE 8				SIZE 10				SIZE 12 THRU 24			
	A°	B°	C°	D°	A°	B°	C°	D°	A°	B°	C°	D°
NORMAL	105	140	215	265	105	140	215	265	105	140	215	265
6	102	132	248	320	102	132	248	320	18	149	192	259
7	80	118	230	312	80	118	230	312	92	152	222	342
8	35	140	205	275	35	140	205	275	84	152	204	334
9	64	155	234	304	64	155	234	304	24	135	199	240
10	—	—	—	—	25	115	220	270	98	152	268	338

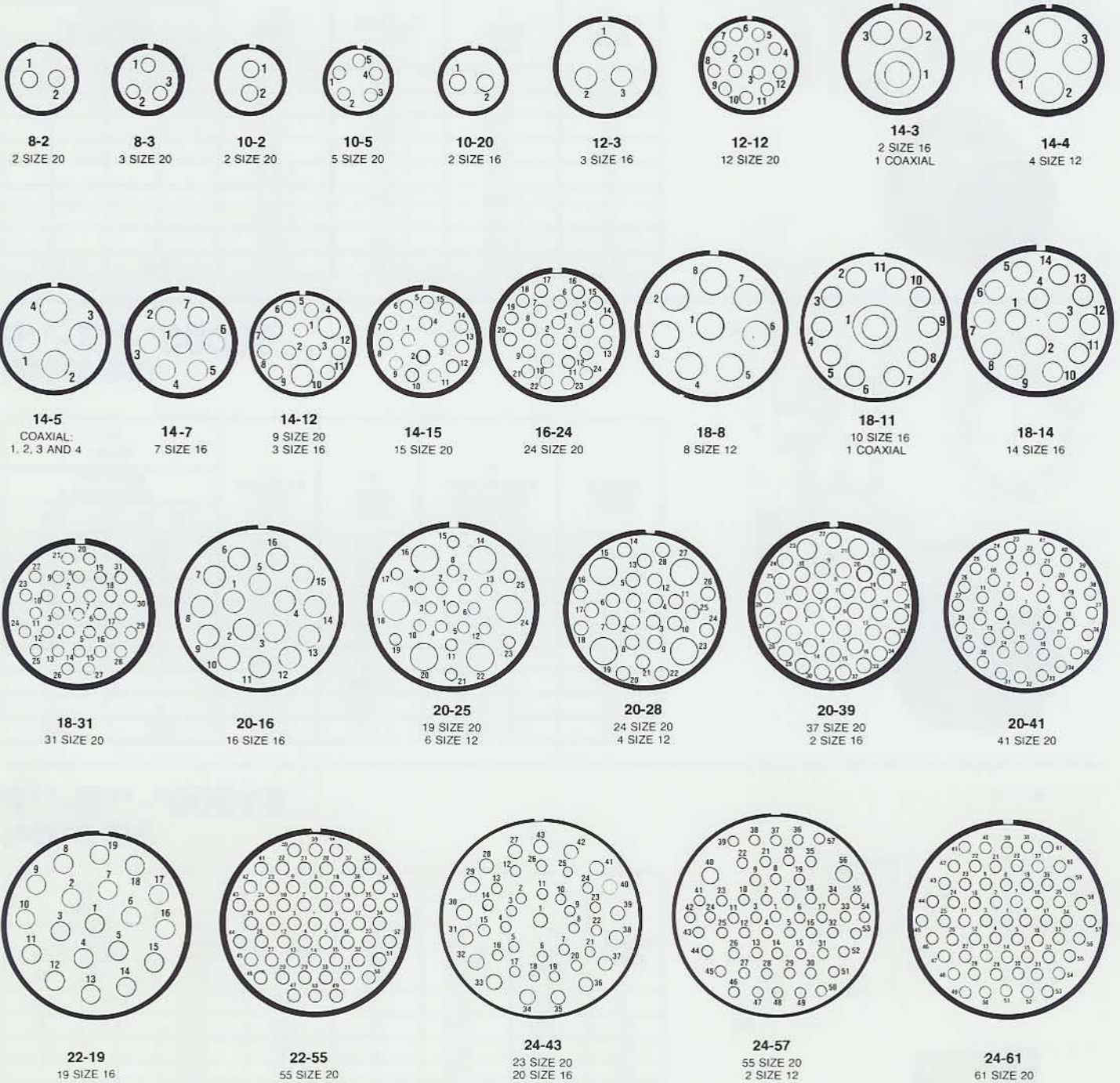
ALTERNATE BAYONET PIN POSITIONS									
POSITION	SIZE 8			SIZE 10			SIZE 12 THRU 24		
	E°	F°	G°	E°	F°	G°	E°	F°	G°
NORMAL	60	180	300	60	180	300	50	170	290
6	46	166	286	46	166	286	↑	↑	↑
7	46	166	286	46	166	286			
8	60	180	300	60	180	300			
9	89	209	329	89	209	329	↓	↓	↓
10	—	—	—	60	180	300	50	170	290



ENGAGING FACE OF PIN INSERT
(SOCKET INSERT OPPOSITE).

INSERT ARRANGEMENT
DOES NOT ROTATE

REAR FACE OF PIN INSERT SHOWN



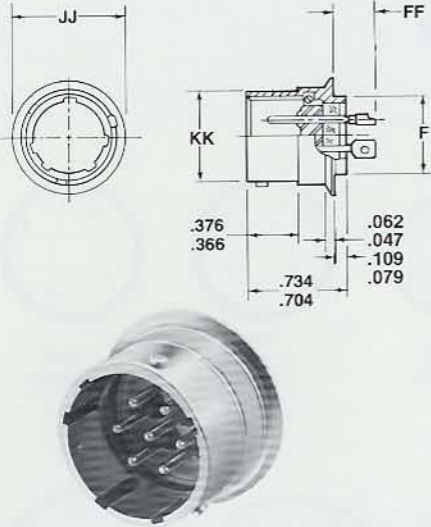
MIL-C-26500

HSC SERIES 800000

SECTION

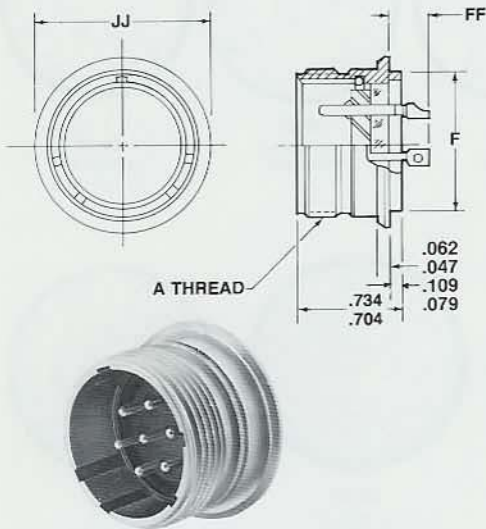
80-3

80000*-B-**P**
(MS 27034)



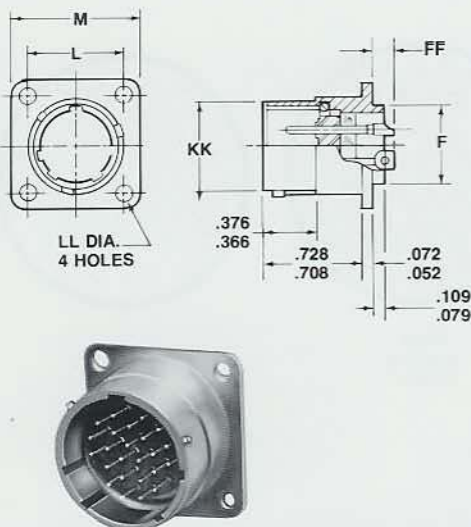
SHELL SIZE	F MAX. DIA.	JJ FLANGE DIA. ±.020	KK +.000 -0.005	FF MAX.		
				SIZE OF CONTACTS		
				12	16	20
8	.437	.705	.536	.400	.330	
10	.562	.840	.659	↑	↑	
12	.750	1.045	.829	↑	↑	
14	.812	1.090	.898	↑	↑	
16	.937	1.210	1.025	↑	↑	
18	1.062	1.340	1.131	↑	↑	
20	1.182	1.475	1.256	↑	↑	
22	1.312	1.590	1.381	↓	↓	
24	1.432	1.725	1.506	.400	.330	

80000*-T-**P**
(MS 27034)



SHELL SIZE	A COUPLING THREAD UNEF-2A	F MAX. DIA.	JJ FLANGE DIA. ±.020	FF MAX.		
				SIZE OF CONTACTS		
				12	16	20
8	9/16-24	.437	.705	.400	.330	
10	11/16-24	.562	.840	↑	↑	
12	7/8-20	.750	1.045	↑	↑	
14	15/16-20	.812	1.090	↑	↑	
16	1-1/16-18	.937	1.210	↑	↑	
18	1-3/16-18	1.062	1.340	↑	↑	
20	1-5/16-18	1.182	1.475	↑	↑	
22	1-7/16-18	1.312	1.590	↓	↓	
24	1-9/16-18	1.432	1.725	.400	.330	

81000*-B-**P**
(MS 24264)



SHELL SIZE	F MAX. DIA.	L ⌀ - ⌀ MTG. HOLE	LL DIA. +.000 -0.009	M LENGTH SIDE	KK DIA. +.000 -0.005	FF MAX.		
						SIZE OF CONTACTS		
						12	16	20
8	.437	.594	.125	.812	.536	.400	.330	
10	.562	.719	↑	.937	.659	↑	↑	
12	.750	.812	↑	1.031	.829	↑	↑	
14	.812	.906	↑	1.125	.898	↑	↑	
16	.938	.969	↑	1.250	1.025	↑	↑	
18	1.062	1.062	↑	1.343	1.131	↑	↑	
20	1.182	1.156	↓	1.437	1.256	↑	↑	
22	1.312	1.250	.125	1.562	1.381	↓	↓	
24	1.432	1.375	.154	1.703	1.506	.400	.330	

HERMETIC SEAL CORPORATION

4232 TEMPLE CITY BOULEVARD, ROSEMEAD, CALIFORNIA 91770

TOLERANCE EXCEPT AS SPECIFIED
DECIMALS ±.005 FRACTIONS ± 1/32

